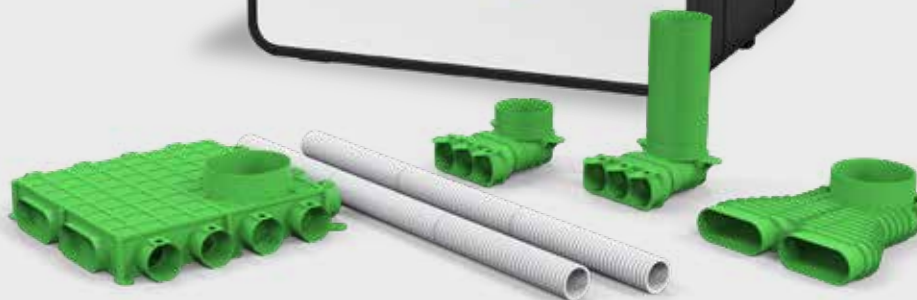


Product catalogue 2021

# Residential ventilation



# Table of contents

- Introduction ..... 3**
  - Why DUCO ..... 3
  - Only at Daikin ..... 3
  
- DucoBox Energy Comfort ..... 4**
  - First choice for project construction ..... 4
  - Total ventilation package ..... 5
  - Technical specifications ..... 7
  - Dimensions ..... 9
  
- DucoBox Energy Premium ..... 10**
  - DucoBox Energy Premium in the spotlight ..... 10
  - 2-zone ventilation system ..... 12
  - Technical specifications ..... 13
  - Dimensions ..... 15
  
- DucoFlex ..... 16**
  - Complete air duct system for Centralized HRV ventilation ..... 16
  
- Material list ..... 18**

# Why DUCO?

## DUCO offers end-to-end solutions

### One-stop-shop for your end-to-end ventilation solution

Complete range of Centralized Heat Recovery Ventilation (CHRV) units, ducts & accessories.

### Smart demand control

The room is only ventilated when necessary and in the correct amount. CO<sub>2</sub> concentration and air humidity are used as indicators. This helps avoiding unnecessary heat loss while guaranteeing an optimal indoor climate.

### One of the quietest systems

A comfortable indoor climate is created by whisper-quiet ventilation systems. DUCO excels in acoustics both in its supply and exhaust airs.

### Automatic calibration

The automatic calibration, whereby the measuring and adjustment technology is based on the principles of calibration under constant pressure, always offers a 100% guarantee of a qualitative end result and translates into a 50% saving in set-up time for the installer.

### Connectivity

With the optional Communication Print you have the option of allowing the DUCO ventilation systems to communicate via ModBus and/or Ethernet. ModBus integration enables them to be linked to a building management system.

### High energy conversion efficiency

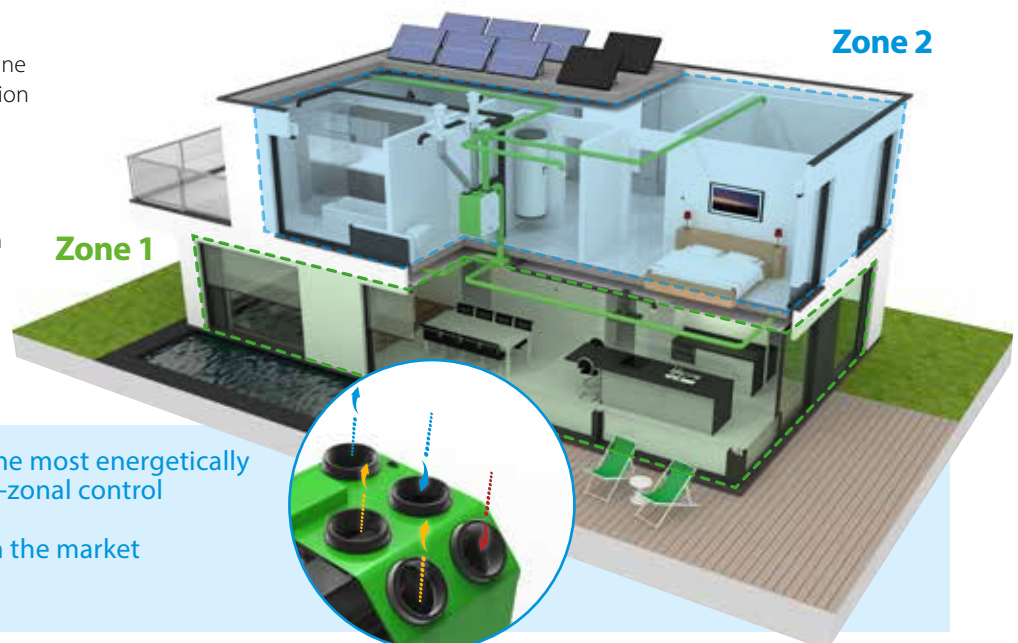
The combination of dynamic air distribution filters and high performance heat exchangers result in very high efficiency ratio.

## Only at Daikin

Thanks to DUCO, Daikin offers Centralized HRV systems with an integrated 2-zone valve. With the 2-zone version of the DucoBox Energy Premium, Daikin's product range is extended with a unique ventilation system with embedded 2-zone control. If a certain zone does not require ventilation, that zone is not ventilated. Cost savings on heating, lower consumption and noise comfort of the unit itself (lower rpm) are the logical consequences.

Sensors meticulously detect the residents' movements throughout the home. This makes it possible to automatically determine where, when and in what amount ventilation is required.

By controlling the two zones separately with a built-in valve, the consumption of the EC fans is reduced considerably, which translates into an A+ energy label.



- ✓ Optimal indoor air quality in the most energetically optimised manner thanks to 2-zonal control
- ✓ Quietest ventilation system on the market
- ✓ Automatic calibration

# DucoBox Energy Comfort



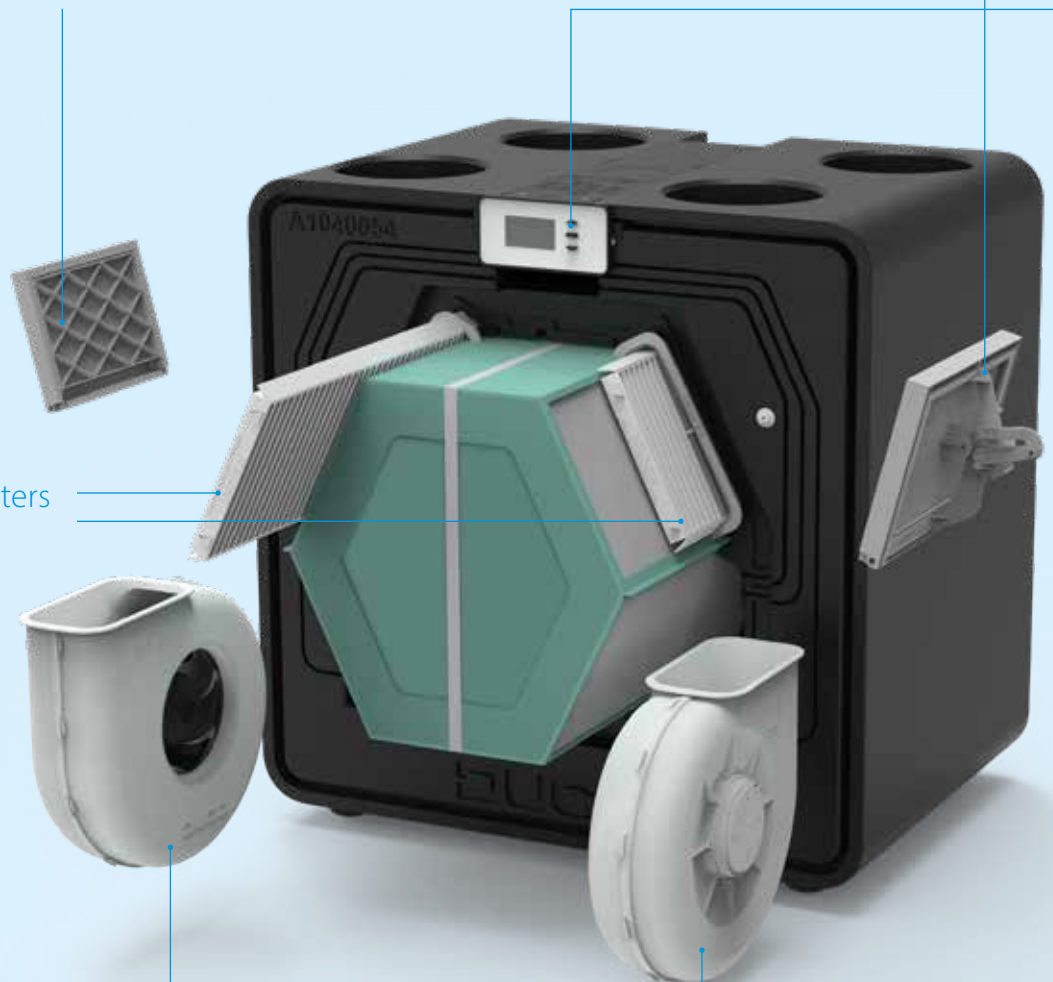
## Making life easy for installers

- ✓ Patented principle of double by-pass

- ✓ Dynamic Airflow Filters

For maximum efficiency.

- ✓ Low power consumption due to energy-efficient EC motors



# First choice for building projects

The DucoBox Energy Comfort is a Mechanical Ventilation unit with Heat Recovery (MVHR). This smart and silent ventilation unit, with its adjustable capacity of up to 325 m<sup>3</sup>/h, is the ideal solution for apartments and houses due to its compact size. The left/right switch is 100% software-driven thanks to the patented principle of double bypass. The dynamic air distribution filters, together with the smart demand control based on CO<sub>2</sub> and humidity, ensure for exceptional efficiency within this compact unit.

## ✓ L/R switch - 100% software-based

This unit is very user-friendly because physical interventions are not necessary. The left/right switch is carried out 100% by software thanks to a patented principle of double by-pass.



## ✓ Compact & light unit: 700 x 705 x 525 mm



This lightweight unit of 21 kg can easily be installed by 1 person. With its compact dimensions, the DucoBox Energy Comfort is ideal for a small technical space!

## ✓ Smart copy function

Thanks to a "copy" function which is integrated on software level, the installer has the possibility to copy the settings and parametrisation of one DucoBox Energy Comfort onto the next DucoBox Energy Comfort. This is particularly useful in a serial construction with the same types of houses.



## ✓ Automatic calibration

Relying on the principles of calibration at constant pressure, this method achieves a 50% saving on calibration time. DUCO saves you time.

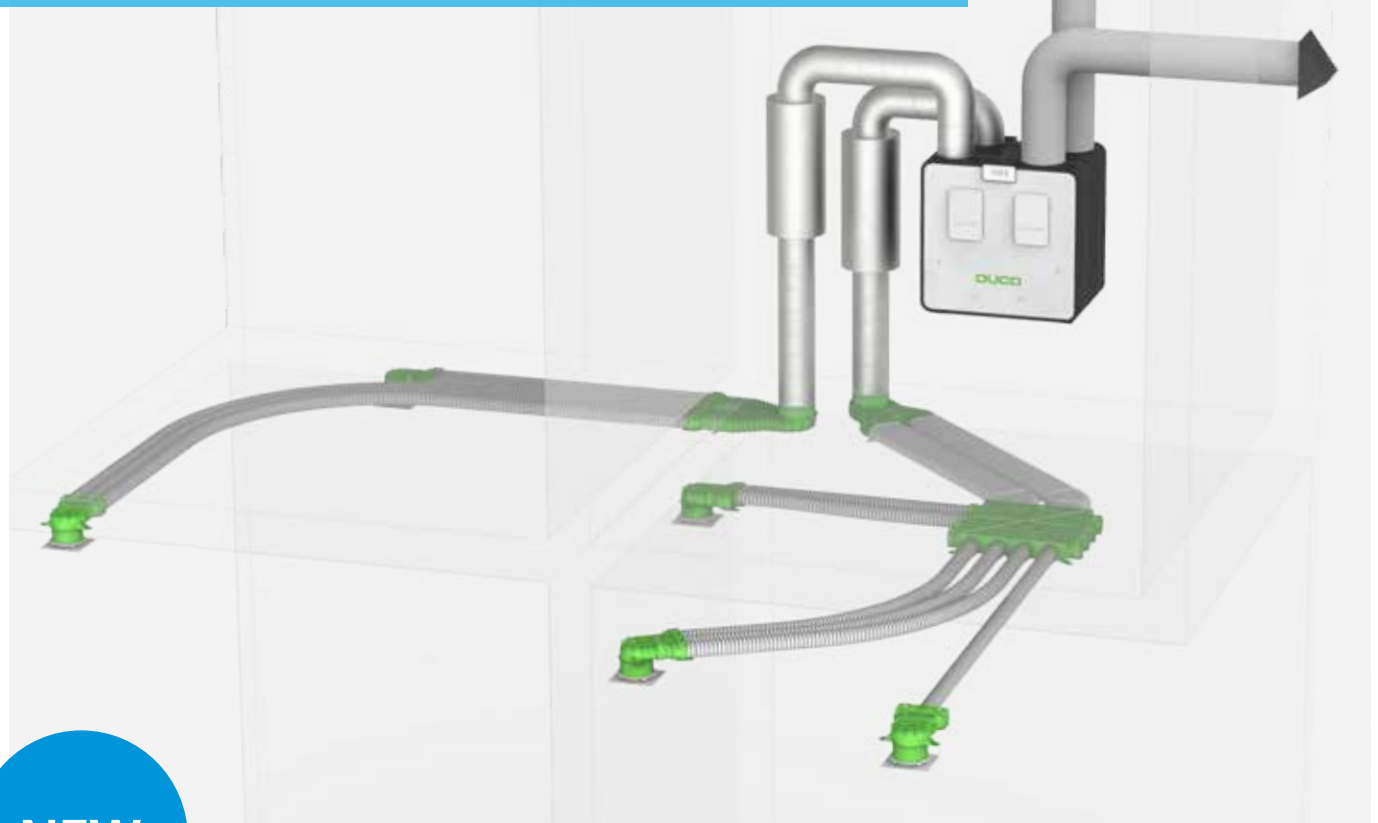
## ✓ Smart demand control based on CO<sub>2</sub> and/or humidity measurement



# Total ventilation package

Are you looking for a total ventilation package? Then you are best going to just one address. With DucoFlex, Daikin provides a complete air duct system for CHR.V. When you use DucoFlex, you will also benefit from the 'Zero Noise' guarantee package. This consists of the highest airtightness class D, the lowest air resistance and maximum acoustic comfort with the quietest ventilation system in Europe! The result is an energy-efficient and quiet ventilation system.

Did you know that this complete air duct system is very easy to install? This is thanks to the handy 'Click & Go' principle and minimum number of fittings. Daikin as a one-stop-shop with 100 % service provision.



**NEW**



- ✓ **DucoFlex**  
Complete air ducting system for CHR.V
- ✓ **'Click & Go' system**  
Flexible ducting with convenient click system
- ✓ **'Zero noise' guarantee**  
Meets the most stringent requirements
- ✓ **100% service**  
Complete ventilation package with support

# DucoBox Energy Comfort 325

The DucoBox Energy Comfort is a compact and light mechanical ventilation unit with heat recovery. With a capacity of up to 325 m<sup>3</sup>/h, this is the balanced ventilation solution for apartments and serial housing construction.

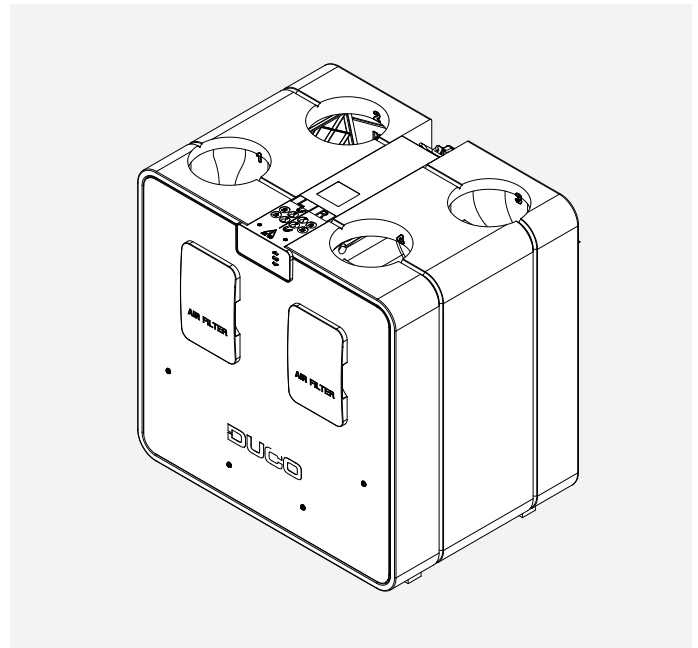
The **demand control** of the DucoBox Energy Comfort results in intelligent and energy-efficient operation.

Together with the **smart demand control** based on CO<sub>2</sub> and humidity, the dynamic air distribution filters ensure exceptional efficiency within this compact unit.

The **left/right switch** is carried out 100% by software thanks to a patented principle of double bypass.

Moreover, this lightweight unit weighs just 21 kg. In other words: easy to install by 1 person.

The **automatic configuration** ensures the device can be installed quickly and professionally.



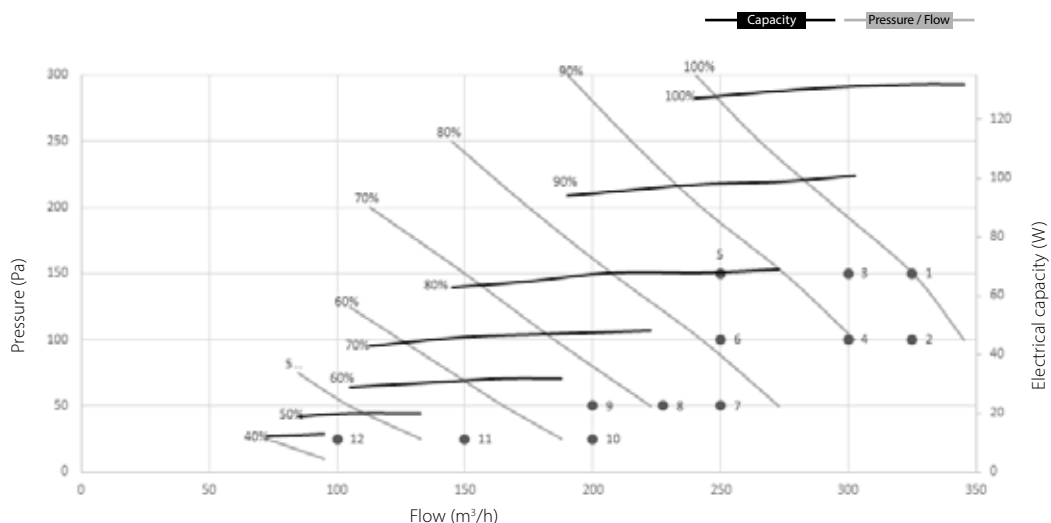
## Versions

Type	Supply and exhaust airflow rate at 150 Pa	2-zone control	Frost protection	Reference number
DucoBox Energy Comfort 325	325 m <sup>3</sup> /h	No	Imbalance	00004485

For UK models, see page 18

## Optional accessories

Product	Reference number
Siphon flat (Energy & Eco)	00004376
Communication Print	00004251
Humidity Box Sensor (Energy Comfort)	00004545
Mounting chair standing (Energy Comfort)	00004546
Filter set 2 x Coarse 65% (Energy Comfort)	00004547



# DucoBox

## Energy Comfort 325

Physical properties	
Width x Height x Depth (mm)	700 x 705 x 525 mm
Casing	Coated sheet steel + EPP
Colours	White + black
Connections	Interior diameter: Ø 160 mm
Condensate drain	Ø 32 mm (1 ¼") (2x)
Heat exchanger	PET / Polystyrene
Interior material	EPP / PP / ABS
Weight	21 kg
Power plug cable length	2 m (from top of device)
Mounting	Wall mounting (standard) - Optional floor mounting with mounting chair

Miscellaneous properties	
Energy class	With 2 sensors: A+. Others: A
Filters	Supply air: Standard: ISO 16890 Coarse 65 % (= G4) Exhaust air: Standard: ISO 16890 Coarse 65 % (= G4)
Summer bypass	Full (100% modulating)
Frost protection	Imbalance
Fans	EC fan with curved blades
Automatic configuration	Yes (constant pressure)
Constant flow control	Yes
Controls	Integrated display Use via control switches and room sensors Optionally via smartphone / tablet (if Communication Print in device)
Sensors	Integrated: pressure, temperature, onboard switch contact , Humidity (via optional Boxsensor) External: CO <sub>2</sub> (via optional room sensor), humidity (via optional room sensor), external switch contact (voltage-free input) (optional)
Communication	Standard: DUCO RF, DUCO Wired, Switch contact Can be expanded with Communication Print: ModBus, PWM-IN, PWM-OUT, Switch contact (3x), Ethernet, Micro SD-card slot

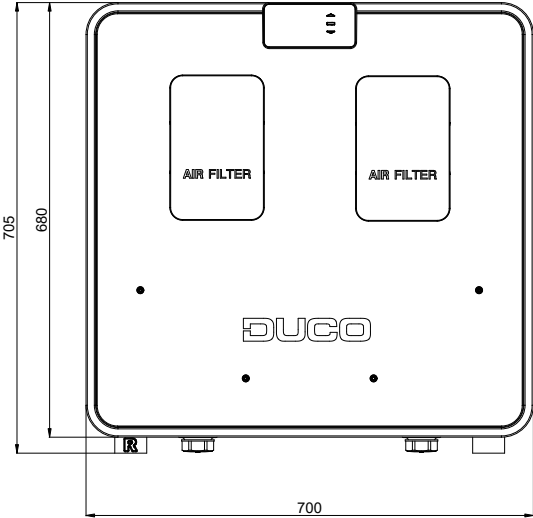
Electrical characteristics	
Maximum electrical capacity 325 m <sup>3</sup> /h at 150 Pa	130 W (2 x 65 W)
Power supply	230 V, 50 Hz - via 3-core cable with earth plug
Plugs	0-10 V in/outputs
Motor type	DC
IP class	IP40
Efficiency	At 325 m <sup>3</sup> /h: 85 % - At 275 m <sup>3</sup> /h: 87 % - At 225 m <sup>3</sup> /h: 88 %

Measurement #	Flow Qv m <sup>3</sup> /h	Pressure Pa	Rated input P W	SFP Wh/m <sup>3</sup>	Sound level Lw*		
					Supply dB(A)	Exhaust dB(A)	Sound power level dB(A)
1	325	150	131	0,40	69	58,5	63
2	325	100	115	0,35	69	59	62
3	300	150	113	0,38	67,5	57,5	62
4	300	100	96	0,32	66,5	56	61
5	250	150	82	0,33	65	55	60
6	250	100	71	0,28	63,5	54,5	58,5
7	250	50	59	0,24	62,5	53	56
8	227,5	50	49	0,22	60	49	55
9	200	50	40	0,20	58,5	50	53
10	200	25	35	0,18	57,5	48,5	51,5
11	150	25	23	0,15	52	41,5	47
12	100	25	15	0,15	47,5	39,5	42

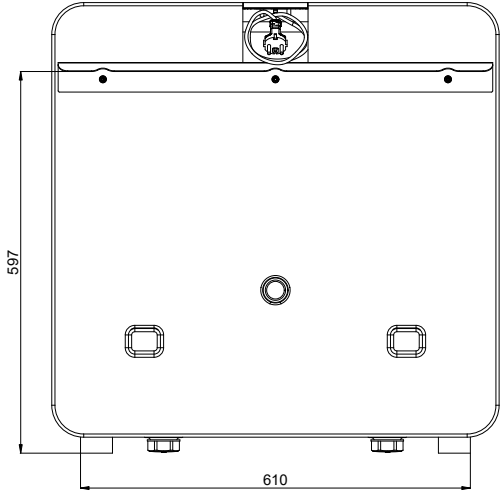
\* Sound power level measured in accordance with ISO 3741: 2010. Supply and exhaust sound level according to ISO 5135: 1997 (with channel correction)



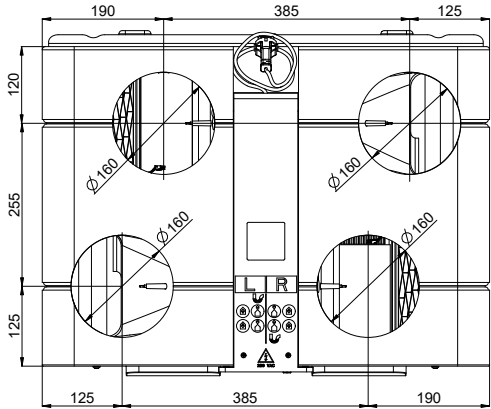
Front view



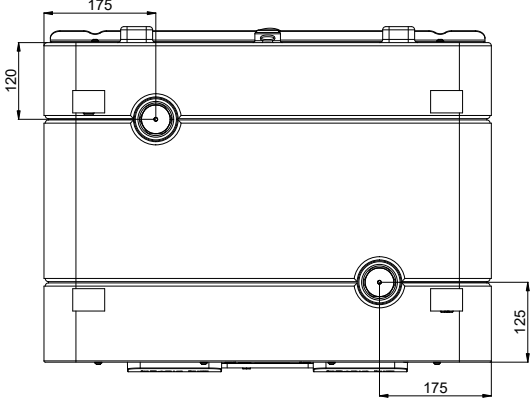
Rear view



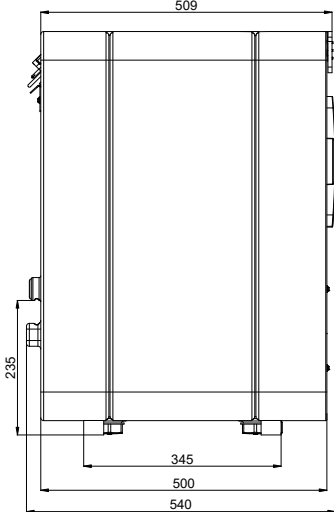
Top view



Bottom view



Side view



# DucoBox Energy Premium

in the spotlight

The DucoBox Energy Premium raises CHRV with heat recovery to the next level. Ideal for installation in an energy-neutral home of the future, automatic calibration and integrated 2-zone control with demand control ensure ultra-quiet, intelligent and energy-saving operation.



## ✓ Patented 2-ZONE system (optional)

The day and night zone are being controlled separately by a valve which is integrated in the unit itself. Steering can happen based on time schedules or based on CO<sub>2</sub> or humidity measurements, thereby significantly improving the energy efficiency!

## ✓ Favourable fan positioning

## ✓ 2 standard air filters

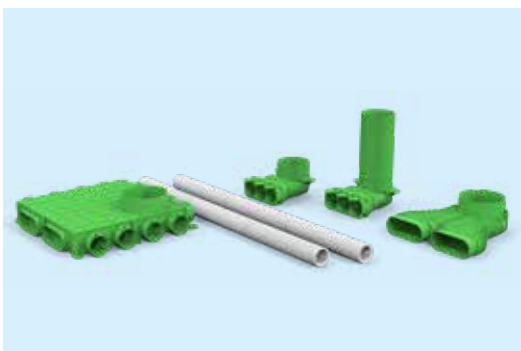
## ✓ Distinguishing features

- › **Demand-controlled** balanced system with **heat recovery**
- › **Lowest** sound power (air supply) in the market
- › Patented **2-zone control** guarantees maximum energy efficiency (60.5 W)
- › Automatic calibration reduces installation time by **at least 50%**
- › **Modular** set-up of on-demand **components**
- › Minimum number of components
- › **Smart communication** with domotic systems through ModBus or ethernet



- ✓ Smart humidity measurement & pressure sensors
- ✓ Intelligent preheater
- ✓ Heat exchanger for maximum efficiency
- ✓ One of the quietest CHR V solution
- ✓ Automatic calibration

The automatic calibration, which is based on the principle of constant pressure, allows for a very fast and accurate calibration. This easily reduces set-up time to 50%! DUCO saves you time and money.



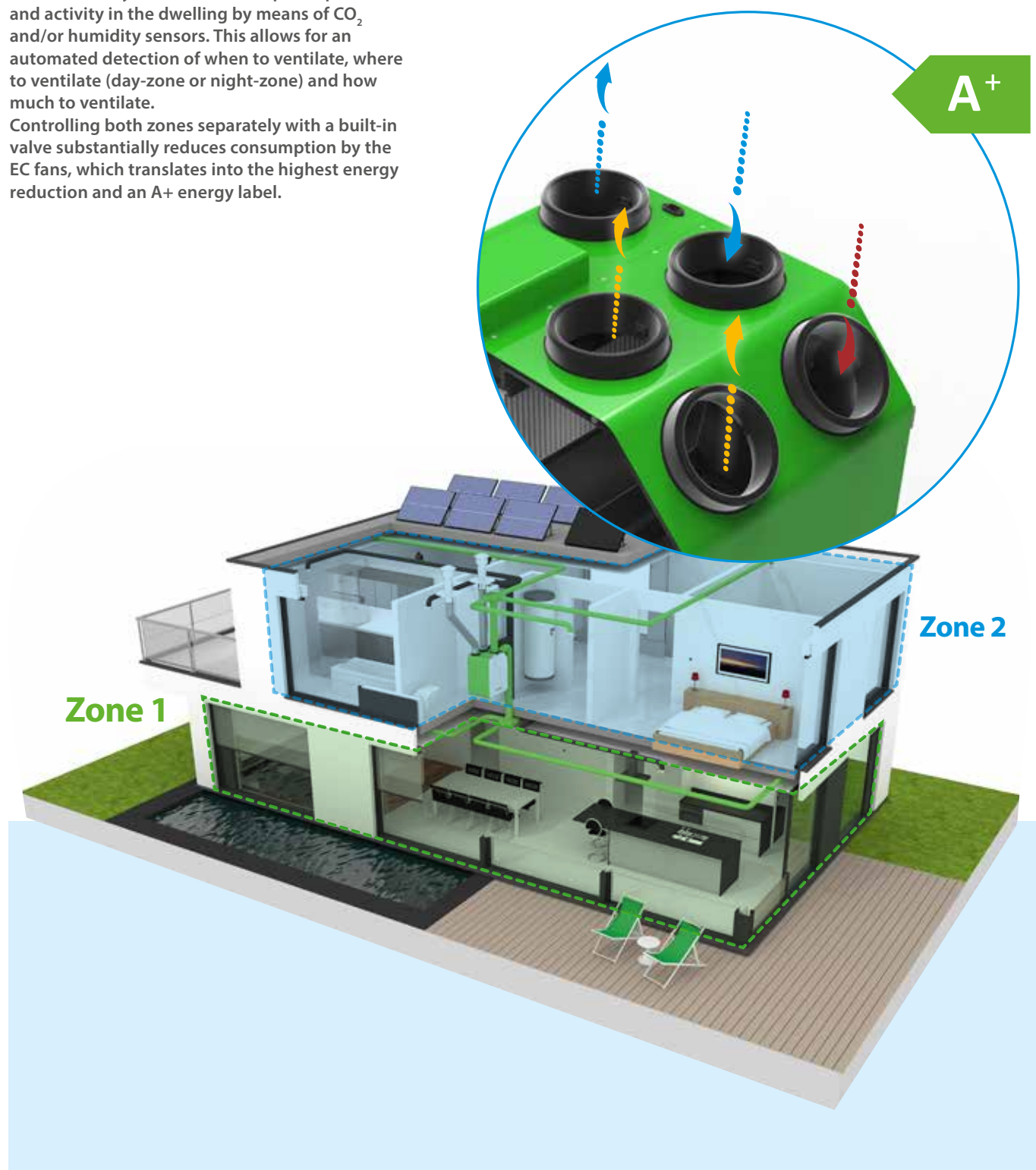
- ✓ **DucoFlex**  
Complete air ducting system for CHR V
- ✓ **'Click & Go' system**  
Flexible ducting with convenient click system
- ✓ **'Zero noise' guarantee**  
Meets the most stringent requirements
- ✓ **100% service**  
Complete ventilation package with support



# 2-zone ventilation system

Sensors closely monitor the occupant's presence and activity in the dwelling by means of CO<sub>2</sub> and/or humidity sensors. This allows for an automated detection of when to ventilate, where to ventilate (day-zone or night-zone) and how much to ventilate.

Controlling both zones separately with a built-in valve substantially reduces consumption by the EC fans, which translates into the highest energy reduction and an A+ energy label.



# DucoBox Energy Premium 325 - 400

The DucoBox Energy Premium is a mechanical ventilation unit with heat recovery. It mechanically supplies fresh air to the house and mechanically extracts contaminated air from it with the help of integrated fans. During this process, the heat is recovered from the extracted air and transferred to the supplied air.

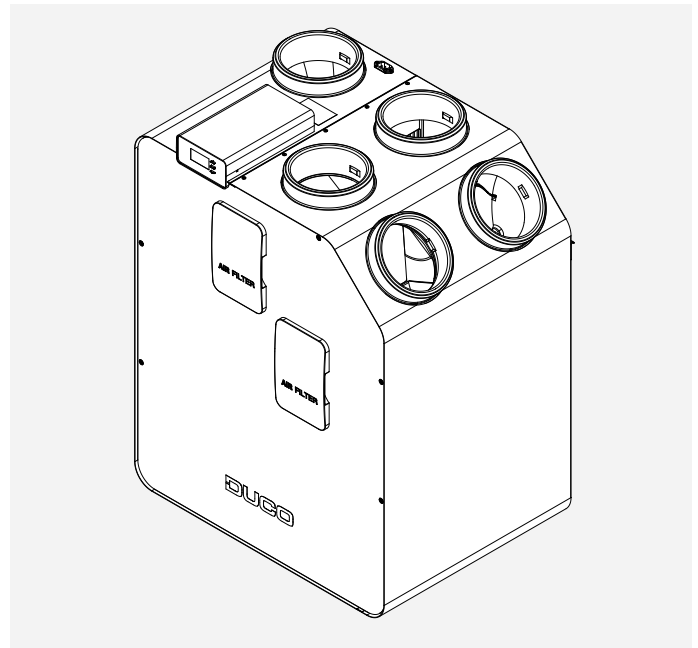
The **smart demand control** of the DucoBox Energy Premium results in quiet, intelligent and energy efficient operation.

**Control components** can be paired with the DucoBox Energy Premium (= master unit).

The DucoBox Energy Premium features frost protection system (with or without heater), bypass function and constant flow.

The **automatic calibration** ensures the device can be installed quickly.

The DucoBox Energy Premium is available as both a 1-zone and a 2-zone variant, with the latter providing even quieter and more energy-efficient operation.



## Versions

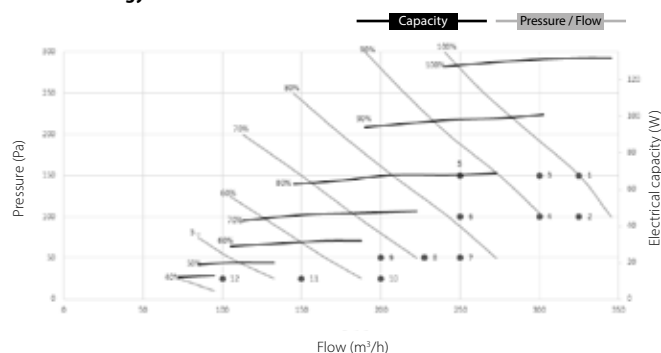
Type	Supply and exhaust capacity at 150 Pa in m <sup>3</sup> /h	2-zone system	Frost protection	Reference number	
				LEFT	RIGHT
DucoBox Energy Premium 325-1ZS	325	No	Imbalance	00004358	00004359
DucoBox Energy Premium 325-1ZH			Imbalance + heater	00004360	00004361
DucoBox Energy Premium 325-2ZS		Yes	Imbalance	00004362	00004363
DucoBox Energy Premium 325-2ZH			Imbalance + heater	00004364	00004365
DucoBox Energy Premium 400-1ZS	400	No	Imbalance	00004366	00004367
DucoBox Energy Premium 400-1ZH			Imbalance + heater	00004368	00004369
DucoBox Energy Premium 400-2ZS		Yes	Imbalance	00004370	00004371
DucoBox Energy Premium 400-2ZH			Imbalance + heater	00004372	00004373

For UK models, see page 18

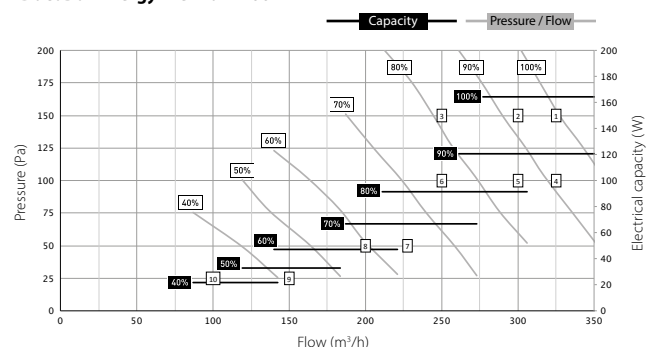
## Optional accessories

Product	Reference number
Mounting chair standing (Energy Premium)	00004421
Mounting chair hanging (Energy Premium)	00004422
Siphon flat (Energy & Eco)	00004376
Communication Print	00004251
Humidity Box Sensor (Energy Premium)	00004374

### DucoBox Energy Premium 325



### DucoBox Energy Premium 400



# DucoBox

## Energy Premium 325 - 400

Physical properties	325	400
Width x Height x Depth (mm)	740 x 957 x 585 mm	
Casing	Coated sheet steel	
Colours	White + green	
Connections	Interior diameter: Ø 160 mm - Exterior diameter: Ø 190 mm	
Condensate drain	Ø 32 mm (1 ¼")	
Heat exchanger	PET / Polystyrene	
Interior material	EPP / PP / ABS	
Weight	47 kg	
Power plug cable length	2 m (connected at the top side of the unit)	
Mounting	Wall mounting (standard) - Optional floor mounting with mounting chair	
Miscellaneous properties	325	400
Energy class	With 2 sensors: A+. Others: A	
Filters	Supply air: Standard: ISO 16890 Coarse 65 % (≈ G4) Supply air: Optional: ISO 16890 ePM1 70% (≈ F7) Exhaust air: Standard: ISO 16890 Coarse 65 % (≈ G4)	
Summer bypass	Full (100% modulating)	
Frost protection	Imbalance - Optional via proportional Heater	
Fans	EC fan with curved blades	
Automatic configuration	Yes (constant pressure)	
Constant flow control	Yes	
Controls	Integrated display Use via control switches and room sensors Optionally via smartphone / tablet (if Communication Print in device)	
Sensors	Integrated: pressure, temperature, humidity (via optional box sensor), onboard switch contact External: CO <sub>2</sub> (via optional room sensor), humidity (via optional room sensor), external switch contact (voltage-free input) (optional)	
Communication	Standard: DUCO RF, DUCO Wired, Switch contact Can be expanded with Communication Print: ModBus, PWM-IN, PWM-OUT, Switch contact (3x), Ethernet, Micro SD-card slot	

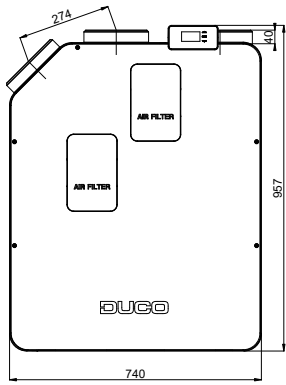
Electrical characteristics	325	400
Maximum electrical capacity at 150 Pa	120 W (2 x 60 W)	183 W (2 x 91,5 W)
Maximum electrical capacity heater	1000 W	
Power supply	230 V, 50 Hz - via 3-core cable with earth plug	
Plugs	0-10 V in/outputs	
Motor type	DC	
IP class	IP40	
Efficiency	At 228 m <sup>3</sup> /h: 87 % - At 275 m <sup>3</sup> /h: 86 % - At 332 m <sup>3</sup> /h: 85 %	At 301 m <sup>3</sup> /h: 85 % - At 351 m <sup>3</sup> /h: 85 % - At 401 m <sup>3</sup> /h: 84 %

Measurement #	Flow Qv m <sup>3</sup> /h		Pressure Pa		Rated input P W		SFP Wh/m <sup>3</sup>		Sound level Lw*					
	325	400	325	400	325	400	325	400	Supply dB(A)		Exhaust dB(A)		Sound power level dB(A)	
1	325	400	150	150	118	180	0,36	0,45	52,0	52,5	54,5	57,0	51,0	55,0
2	300	350	150	150	100	135	0,33	0,39	51,0	51,0	55,0	56,0	50,0	53,5
3	250	300	150	150	80	100	0,32	0,33	46,5	51,0	48,5	55,0	48,0	50,0
4	325	400	100	100	104	159	0,32	0,40	51,0	52,0	56,5	56,5	50,5	54,5
5	300	350	100	100	93	120	0,31	0,34	48,0	51,5	52,5	55,5	50,5	51,5
6	250	300	100	100	67	93	0,27	0,31	45,0	48,0	46,5	52,5	46,0	50,5
7	227,5	280	50	50	47	68	0,21	0,24	41,0	46,0	45,5	47,0	41,5	46,0
8	200	250	50	50	37	55	0,19	0,22	39,0	44,0	44,5	46,0	40,0	43,0
9	150	200	25	50	26	37	0,17	0,19	31,0	39,0	36,0	44,5	39,5	40,0
10	100	200	25	25	16	35	0,16	0,18	28,5	36,0	35,5	40,5	39,0	40,0
11	-	150	-	25	-	26	-	0,17	-	31,0	-	36,0	-	39,5
12	-	100	-	25	-	16	-	0,16	-	28,5	-	35,5	-	39,0

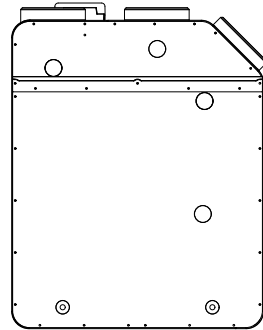
\* Sound power level measured in accordance with ISO 3741: 2010. Supply and exhaust sound level according to ISO 5135: 1997 (with channel correction)

**Left model**

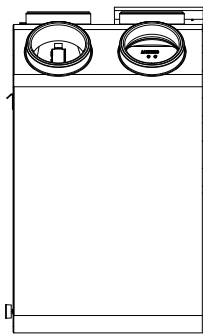
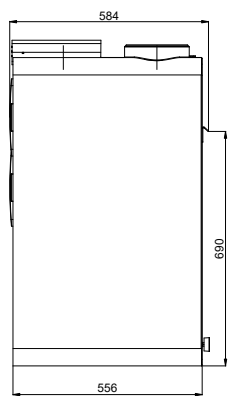
Front view



Rear view

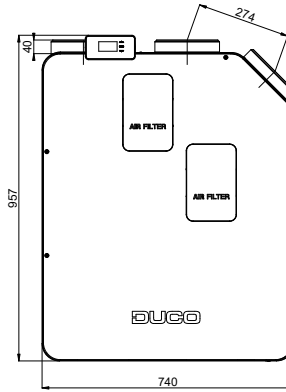


Side view

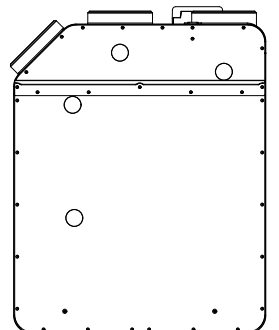


**Right model**

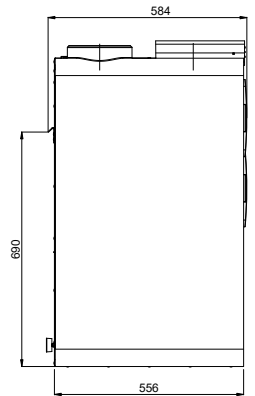
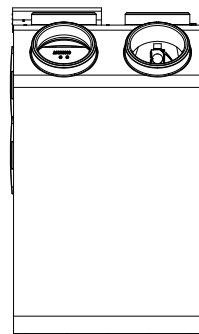
Front view



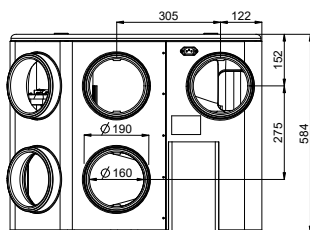
Rear view



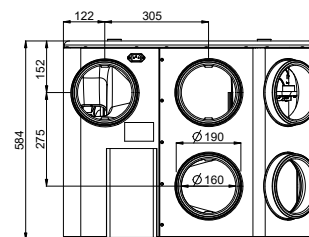
Side view



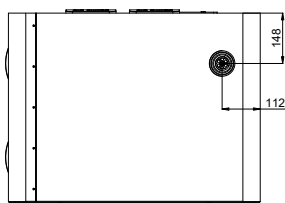
Top view



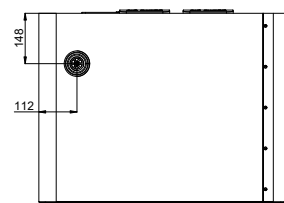
Top view



Bottom view

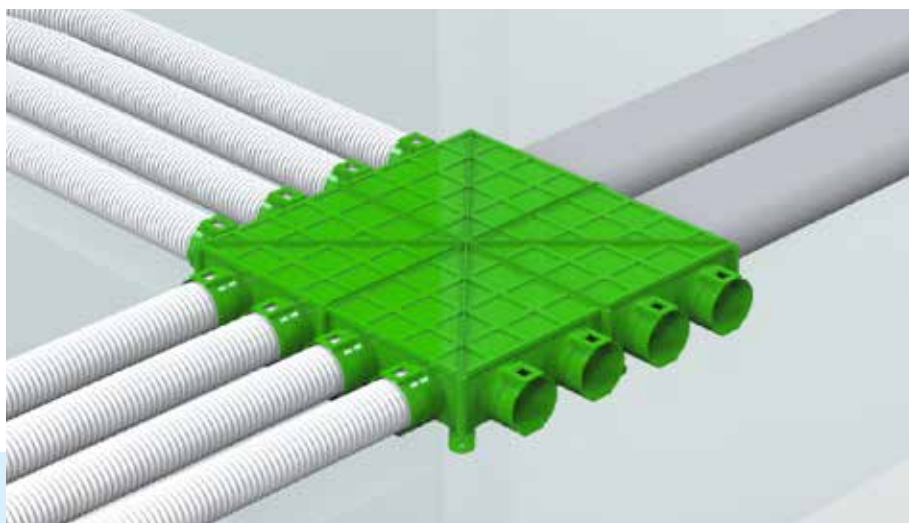


Bottom view



# DucoFlex

Complete air duct system for CHRV systems



## Silencers

Flexible or rigid silencers that have pre-fitted connectors. Thanks to their sound-reducing properties, the DucoFlex silencers are an essential part of the "Zero Noise" guarantee package from DUCO.





✓ 'Zero Noise' guarantee

- › Air tightness class D
- › Low air-resistance
- › Maximum comfort

✓ 100 % service

- › Support from the research department
- › One-stop-shop:  
1 brand = 1 ventilation solution

✓ Complete Air Duct System

- › One solution for every type of ventilation system
- › Suitable for CHRV units

✓ 'Click & Go' system

- › Handy click system
- › Minimum parts and fittings
- › Save time = save money



Insulated ducting

The range of insulated EPP and EPS ducts with a diameter of Ø160 mm or Ø180 mm are simple to connect to DUCO's air duct system. With a limited number of parts, it's easy to create a thermally insulated connection between the ventilation unit and the roof/wall feed-through.



## Material list

Category	Reference	Description
CHRV UNITS (NON-UK)	00004485	DucoBox Energy Comfort 325
	00004358	DucoBox Energy Premium 325 - 1ZS - Left
	00004359	DucoBox Energy Premium 325 - 1ZS - Right
	00004360	DucoBox Energy Premium 325 - 1ZH - Left
	00004361	DucoBox Energy Premium 325 - 1ZH - Right
	00004362	DucoBox Energy Premium 325 - 2ZS - Left
	00004363	DucoBox Energy Premium 325 - 2ZS - Right
	00004364	DucoBox Energy Premium 325 - 2ZH - Left
	00004365	DucoBox Energy Premium 325 - 2ZH - Right
	00004366	DucoBox Energy Premium 400 - 1ZS - Left
	00004367	DucoBox Energy Premium 400 - 1ZS - Right
	00004368	DucoBox Energy Premium 400 - 1ZH - Left
	00004369	DucoBox Energy Premium 400 - 1ZH - Right
	00004370	DucoBox Energy Premium 400 - 2ZS - Left
	00004371	DucoBox Energy Premium 400 - 2ZS - Right
	00004372	DucoBox Energy Premium 400 - 2ZH - Left
	00004373	DucoBox Energy Premium 400 - 2ZH - Right
CHRV UNITS (UK)	00004591	DucoBox Energy Comfort 325 (UK)
	00004456	DucoBox Energy Premium 325 - 1ZS - Left (UK)
	00004457	DucoBox Energy Premium 325 - 1ZH - Left (UK)
	00004458	DucoBox Energy Premium 325 - 2ZS - Left (UK)
	00004459	DucoBox Energy Premium 325 - 2ZH -Left (UK)
	00004460	DucoBox Energy Premium 325 - 1ZS - Right (UK)
	00004461	DucoBox Energy Premium 325 - 1ZH - Right (UK)
	00004462	DucoBox Energy Premium 325 - 2ZS - Right (UK)
	00004463	DucoBox Energy Premium 325 - 2ZH - Right (UK)
	00004464	DucoBox Energy Premium 400 - 1ZS - Left (UK)
	00004465	DucoBox Energy Premium 400 - 1ZH - Left (UK)
	00004466	DucoBox Energy Premium 400 - 2ZS - Left (UK)
	00004467	DucoBox Energy Premium 400 - 2ZH - Left (UK)
	00004468	DucoBox Energy Premium 400 - 1ZS - Right (UK)
	00004469	DucoBox Energy Premium 400 - 1ZH - Right (UK)
00004470	DucoBox Energy Premium 400 - 2ZS - Right (UK)	
00004471	DucoBox Energy Premium 400 - 2ZH - Right (UK)	
ACCESSORIES	00004546	Mounting chair standing (Energy Comfort)
	00004421	Mounting chair standing (Energy Premium)
	00004422	Mounting chair hanging (Energy Premium)
	00004251	Communication Print (Energy Comfort + Premium)
	00004376	Flat siphon
	00004547	Filterset 2 x Coarse 65 % (Energy Comfort)
	00004416	Filterset 1x Coarse 65 % & 1 x ePM1 70% (Energy Premium)
	00004417	Filterset 2 x Coarse 65 % (Energy Premium)
CONTROLLERS	00004175	User controller RF/BAT black
	00004174	Switching contact RF/230V
	00004545	Humidity Box Sensor (Energy Comfort)
	00004374	Humidity Box Sensor (Energy Premium)
	00004600	User controller RF/BAT white
	00004601	User controller RF/Wired black
	00004602	User controller RF/Wired white
	00004603	CO <sub>2</sub> sensor RF/Wired black
	00004604	CO <sub>2</sub> sensor RF/Wired white
	00004605	Humidity sensor RF/Wired black
	00004606	Humidity sensor RF/Wired white
	00004636	CO <sub>2</sub> sensor without command RF/Wired black
	00004637	CO <sub>2</sub> sensor without command RF/Wired white

Category	Reference	Description
AIR VENT	00004179	DucoVent Design square standard AK (exhaust) - RAL 9010
	00004594	DucoVent Design square standard AK (exhaust) - other RAL
	00004226	DucoVent Design square XL AK (supply and exhaust) - RAL 9010
	00004597	DucoVent Design square XL AK (supply and exhaust) - other RAL
	00004211	DucoVent Design rounded square standard AK (exhaust) - RAL 9010
	00004596	DucoVent Design rounded square standard AK (exhaust) - other RAL
	00004227	DucoVent Design rounded square XL AK (supply and exhaust) - RAL 9010
	00004598	DucoVent Design rounded square XL AK (supply and exhaust) - other RAL
	00004210	DucoVent Design round AK (supply and exhaust) - RAL 9010
	00004595	DucoVent Design round AK (supply and exhaust) - other RAL
	00004178	DucoVent Basic (supply and exhaust)
	10300800	DoorVent RAL 9001
	10300700	DoorVent RAL 9010
	10300500	DoorVent (other RAL)
DUCOFLEX	00004552	DucoFlex Round air duct D63
	00004563	DucoFlex Floor plenum 12x63 - D180
	00004565	DucoFlex Floor plenum 12x63 - 2 oval
	00004564	DucoFlex Ceiling plenum 12x63 - D180
	00004560	DucoFlex Valve connector right angled 3x63 - D125
	00004561	DucoFlex Valve connector right angled short 3x63 - D125
	00004608	DucoFlex connector riser round 3x63 - D125
	00004566	DucoFlex connector riser round D160 - 2 oval
	00004553	DucoFlex O-ring D63 (10 units)
	00004554	DucoFlex Coupling D63
	00004599	DucoFlex Tube cutter
	00004569	DucoFlex Star air duct & coupling D160
	00004570	DucoFlex Star air duct & coupling D180
	00004571	DucoFlex Star bend 90° & coupling D160
	00004572	DucoFlex Star bend 90° & coupling D180
	00004573	DucoFlex Star bend 45° & coupling D160
	00004574	DucoFlex Star bend 45° & coupling D180
	00004575	DucoFlex Star coupling D160
	00004576	DucoFlex Star coupling D180
	00004584	DucoFlex Wall terminal black D160
	00004627	DucoFlex Wall terminal white D160
	00004585	DucoFlex Wall terminal black D180
	00004628	DucoFlex Wall terminal white D180
	00004580	DucoFlex Roof terminal Compact D160 - Terracotta
	00004582	DucoFlex Roof terminal Compact D160 - Slate
	00004578	DucoFlex Roof terminal D160/180
	00004581	DucoFlex Roof terminal for flat roofs D160/180
	00004579	DucoFlex Roof terminal tile D160/180
	00004586	DucoFlex Silencer D127
	00004630	DucoFlex Silencer D125
	00004631	DucoFlex Silencer D160
	00004632	DucoFlex Silencer D180
	00004587	DucoFlex Silencer Semi Rigid D160
	00004588	DucoFlex Silencer Semi Rigid D180

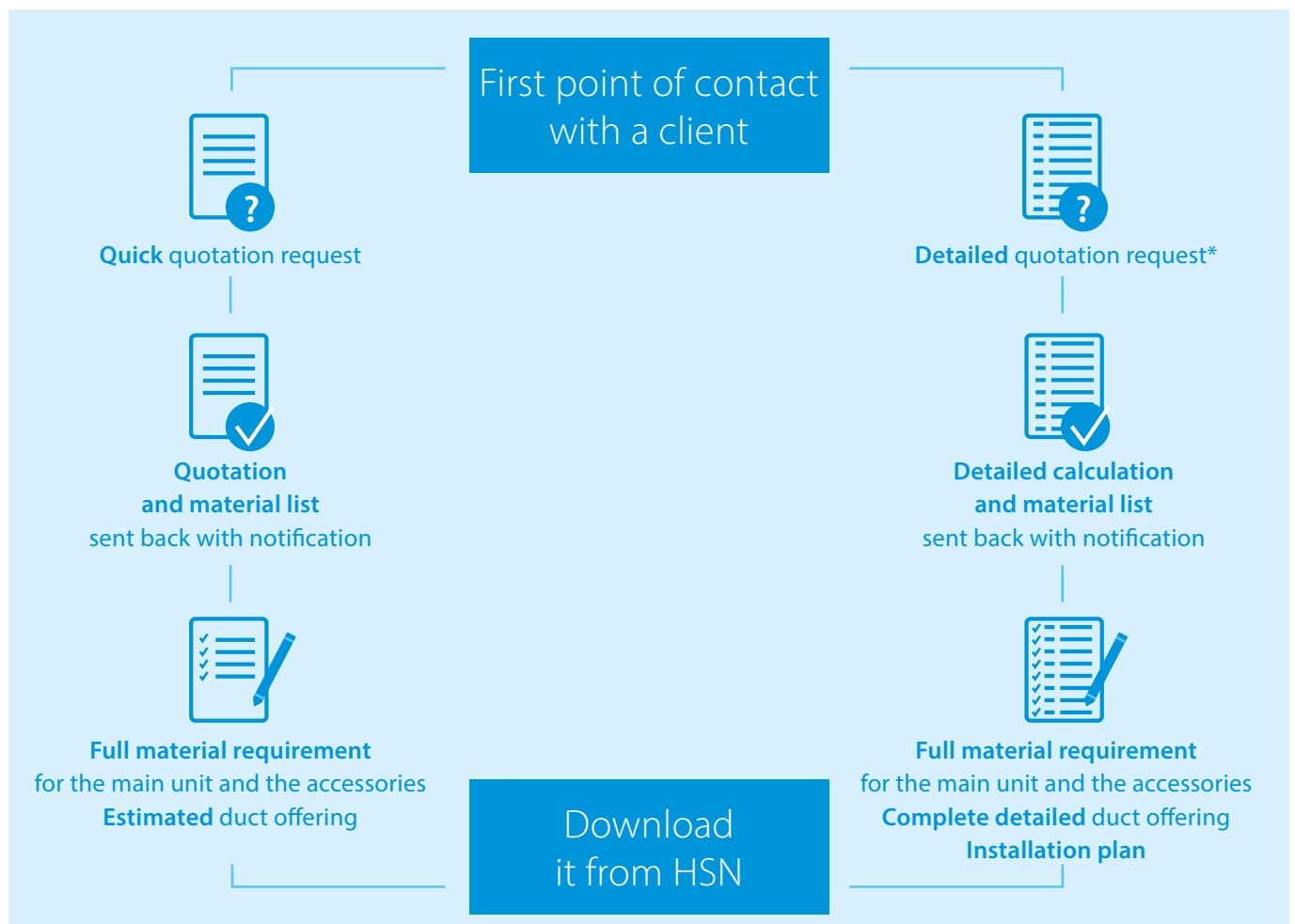


# Experience the ultimate customer service

## with the Heating Solutions Navigator

As part of the Stand by Me service programme, the **Heating Solutions Navigator (HSN)** provides the best fit solution for your customer's home.

As installer, you will be able to request a **quick quotation** for DUCO units, or get a **detailed calculation** based on your customer's home plan that you will provide.



\* On condition that commitment to purchase is made.

